

# MEETING ROOM CONSOLE

for iPad mini



## Secure iPad mini Stand for Video Conferencing Control

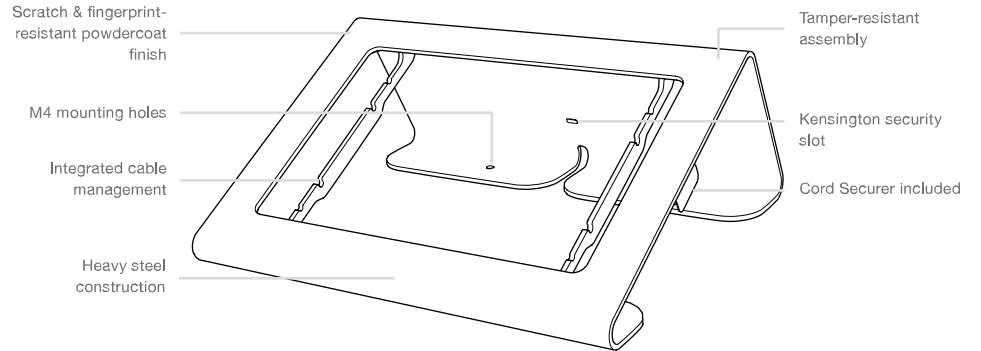
Complete your impressive new video conferencing system with this attractive control console. Perfect for Zoom Room, BlueJeans Huddle, and other conference room automation. With Meeting Room Console, you can be confident that your iPad devices won't walk away from the table and will be ready for your next important meeting.

# MEETING ROOM CONSOLE

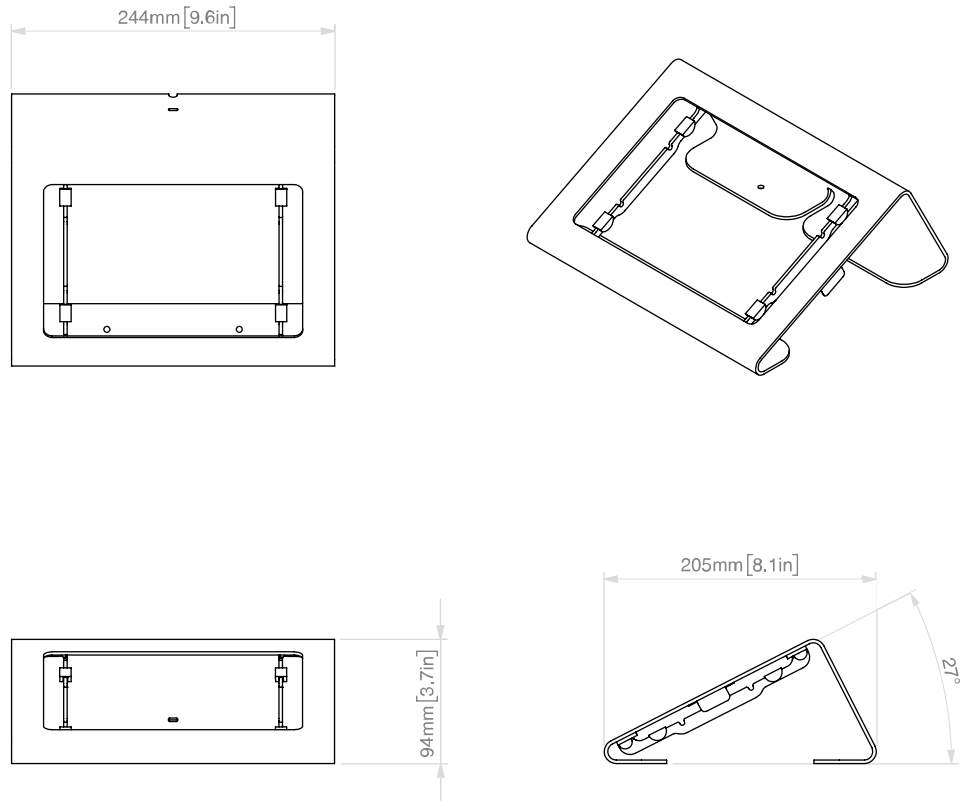
H488

for iPad mini

## Features



## Dimensions



# MEETING ROOM CONSOLE

H488

for iPad mini

---

## Specifications

<b>Price</b>	\$99
<b>SKU</b>	H488
<b>Height</b>	3.7 inches
<b>Width</b>	9.6 inches
<b>Depth</b>	8.1 inches
<b>Weight</b>	3.2 pounds
<b>Viewing Angle</b>	27 degrees
<b>Warranty</b>	2 years

---

## Colors

<b>Name</b>	<b>SKU</b>	<b>UPC</b>
Black Grey	H488-BG	600978412111
Grey White	H488-GW	600978412494

---

## Compatible Devices

iPad mini 1  
iPad mini 2  
iPad mini 3  
iPad mini 4

---

## In the Box

WindFall Side Mount  
Self-tapping screws for mullion installation  
Assembly tool

---

## Accessories

F560 - Kensington ClickSafe® 2.0 Cable Lock  
T267 - Redpark Gigabit + PoE Adapter for iPad  
T245 - Right-Angle Lightning Cable