

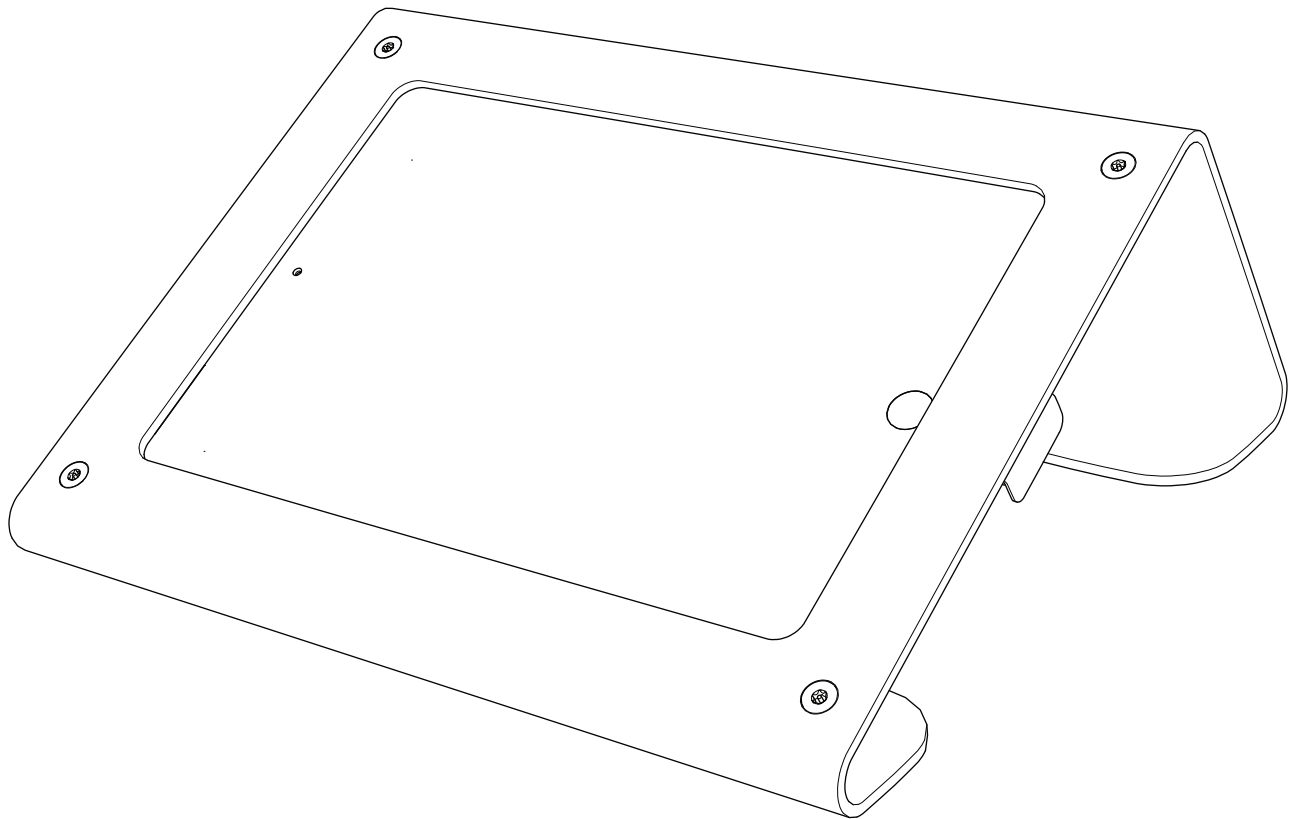
Meeting Room

CONSOLE

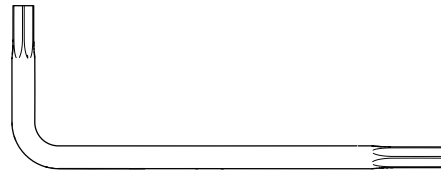
for iPad mini



Assembly & Installation

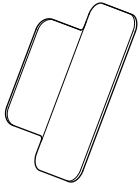


1x



T10 Security Torx Key

1x



Cord Securer

4x



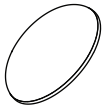
Screw Caps

4x



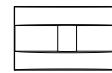
Adapter Foam

4x



Sliding Feet

4x



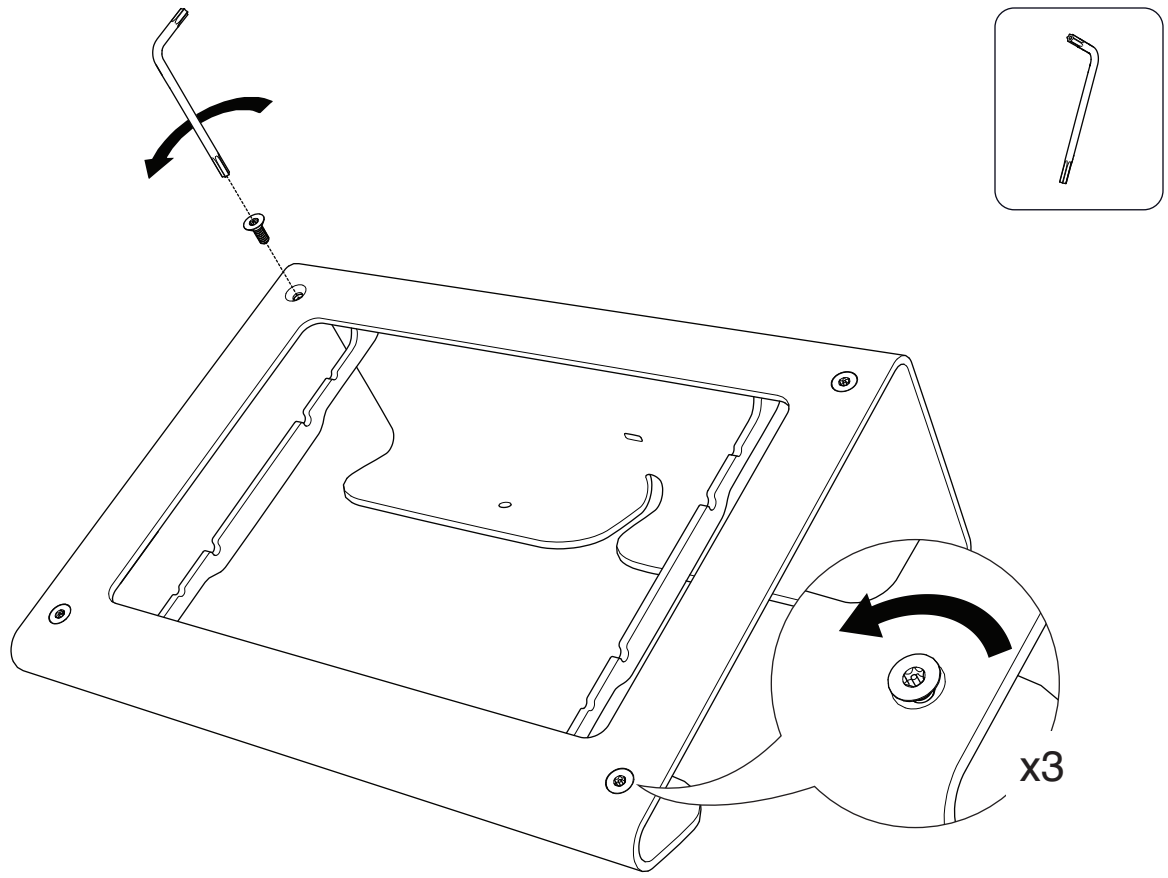
Adapter Clips

4x

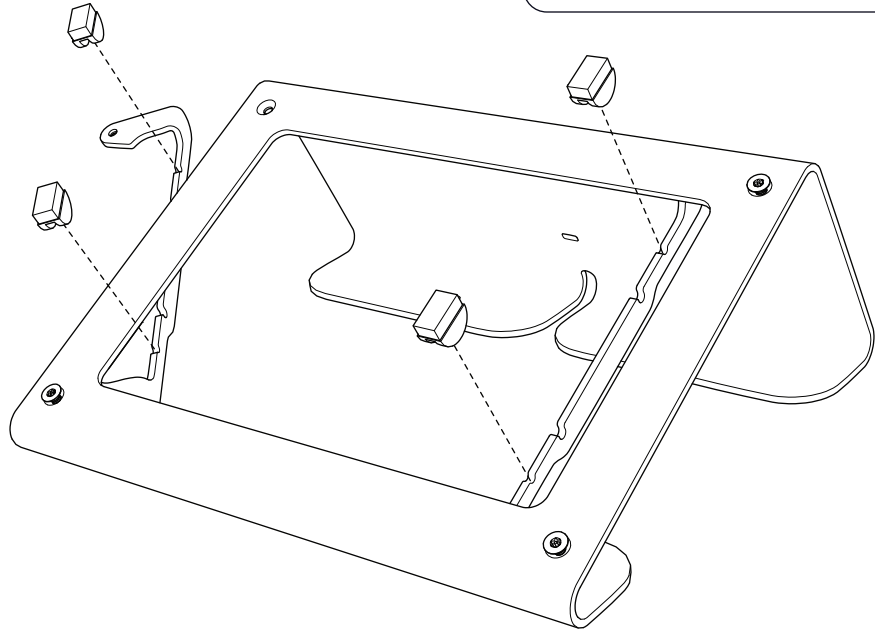
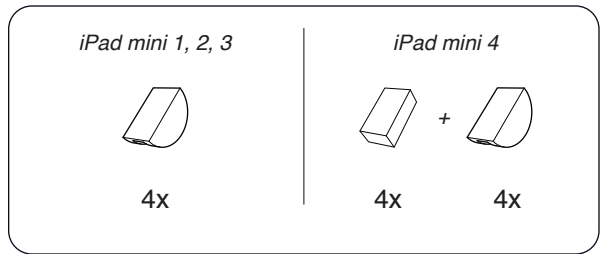


Friction Feet

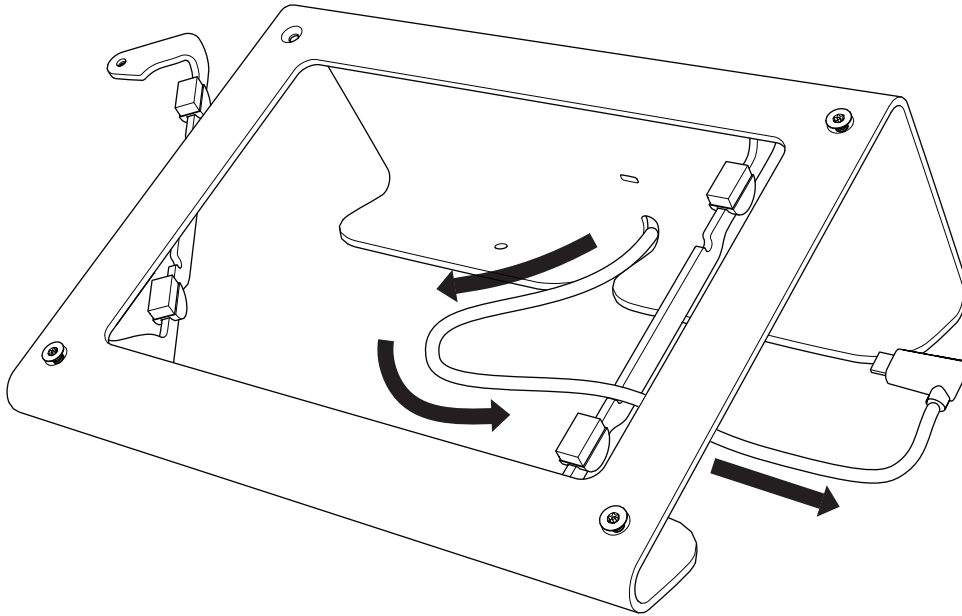
1




2

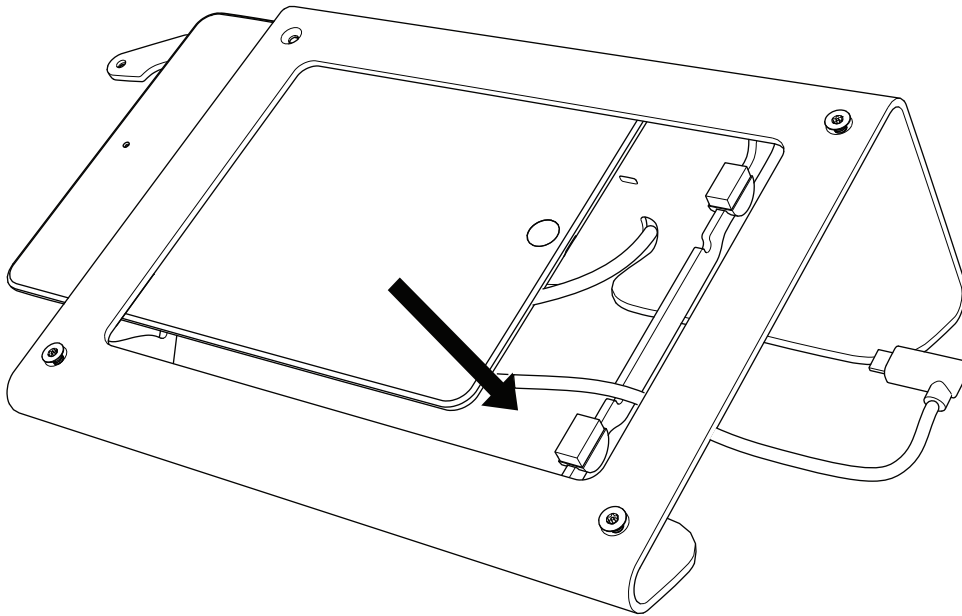


3

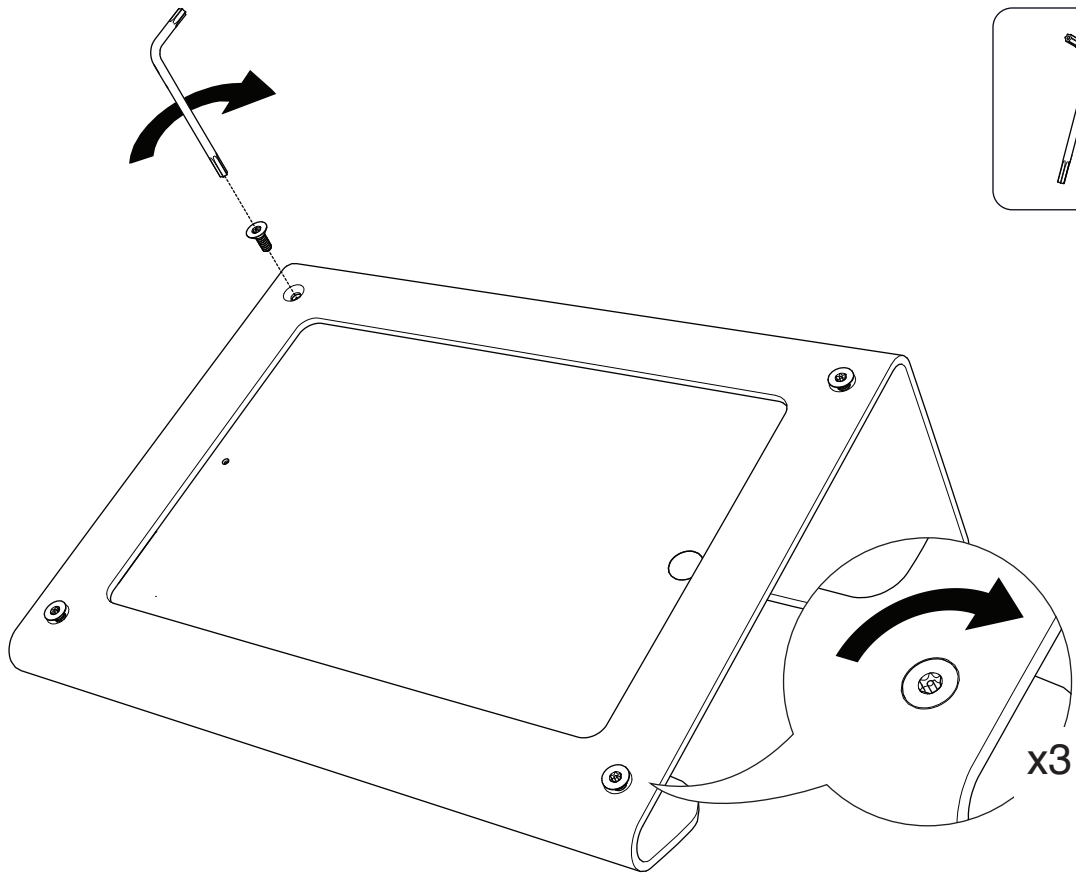


 **Right-angle lightning cables** (not included) are recommended to keep your iPad mini powered during use

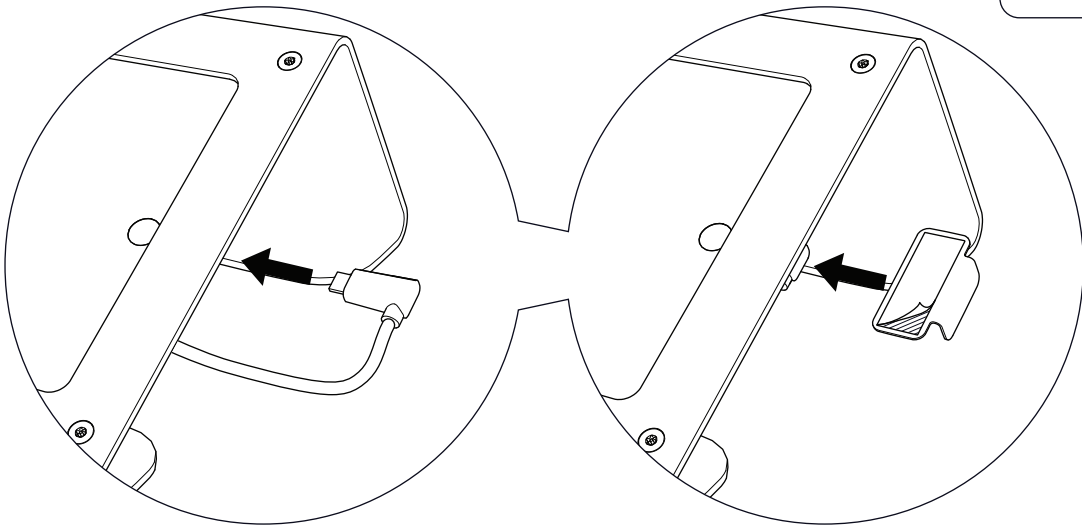
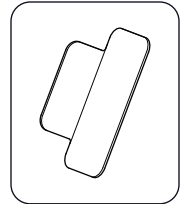
4



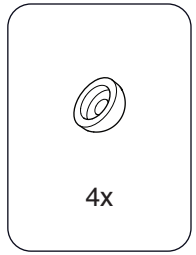
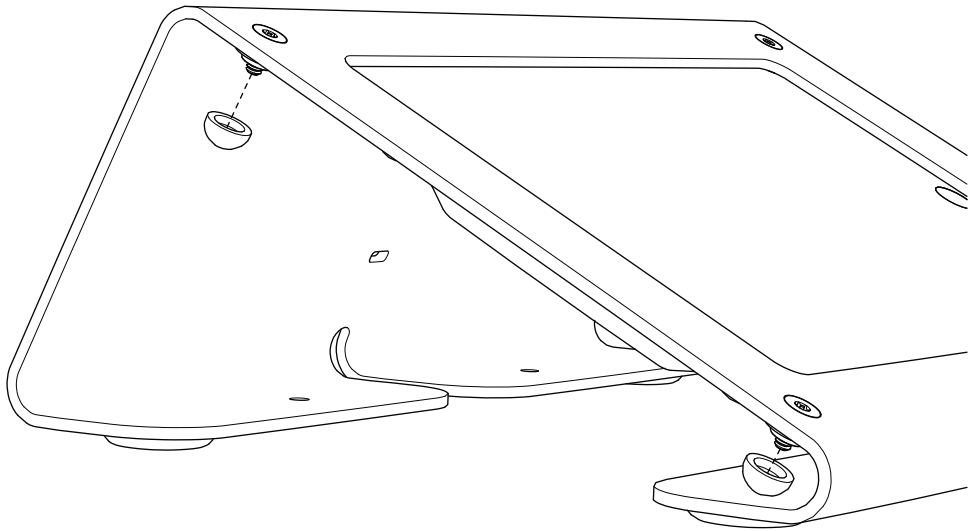
5



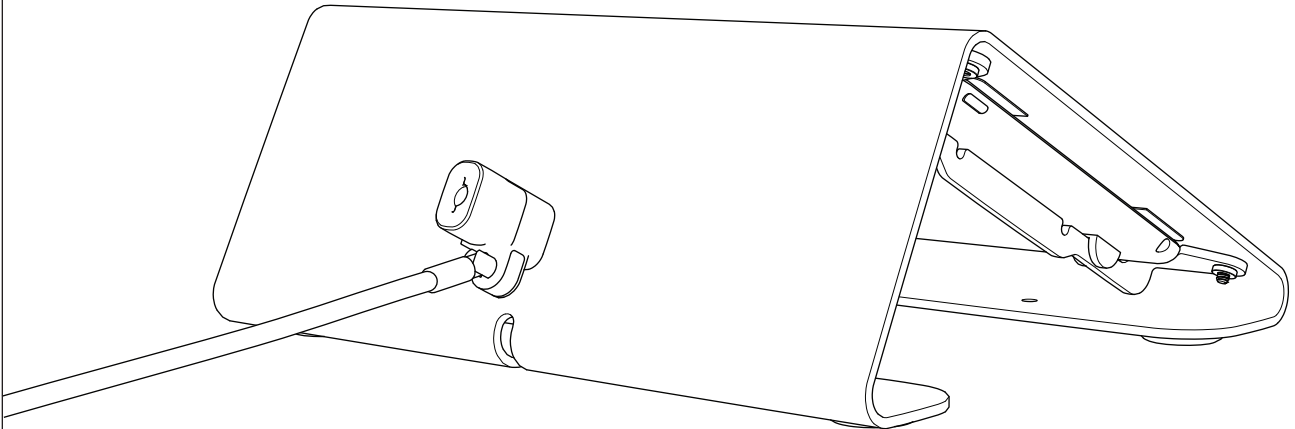
Optional: Cord Securer is compatible with most right-angle lightning cables



6



Optional: Compatible with Kensington ClickSafe Cable Locks



7

